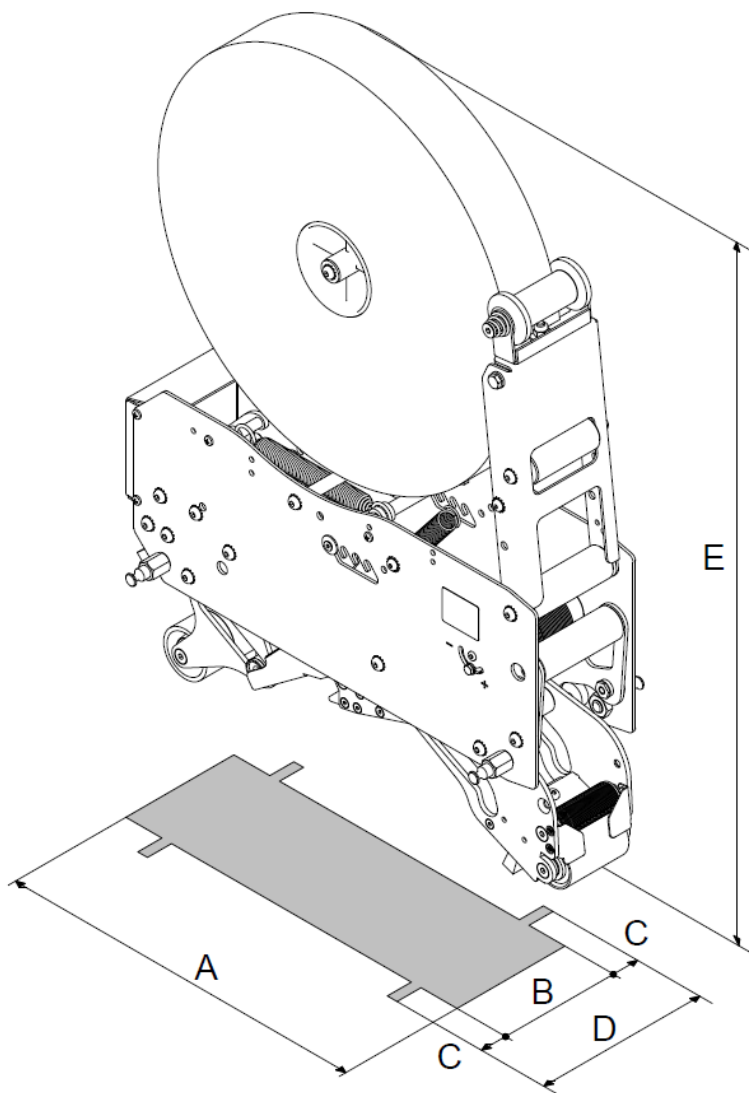


TU 2 - TU 2S - TU 2 Inox - TU 2 HS



| | A | B | C | D | E (max) | Kg |
|--------|---------|---------|--------|---------|---------|-----|
| TU 2.2 | 425 mm. | 112 mm. | 29 mm. | 170 mm. | 595 mm. | 7,4 |
| TU 2.3 | 440 mm. | 112 mm. | 29 mm. | 170 mm. | 620 mm. | 7,4 |