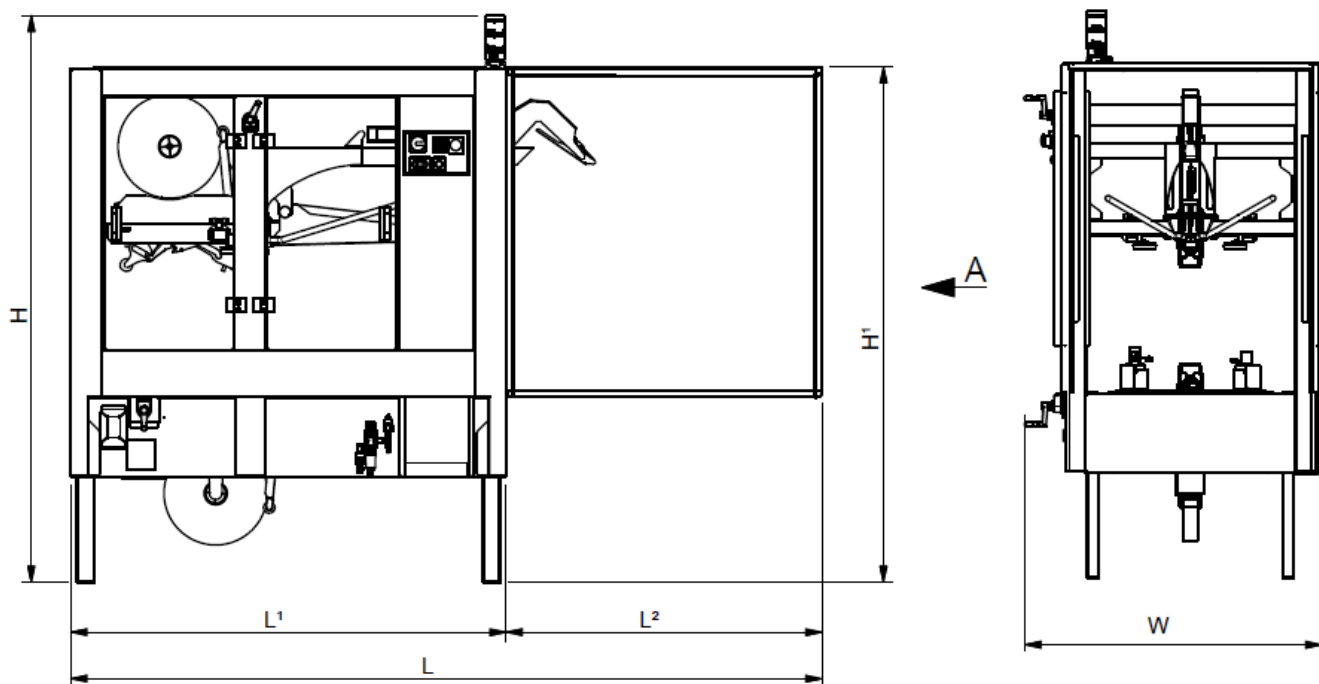


GT56FL - 608FL



	L	L ¹	L ²	H	H ¹	W	Kg
GT 56FL	2620 mm.	1520 mm.	1100 mm.	1976 mm.	1796 mm.	1035 mm.	275
GT 608FL	3055 mm.	1955 mm.	1100 mm.	2076 mm.	1920 mm.	1235 mm.	400