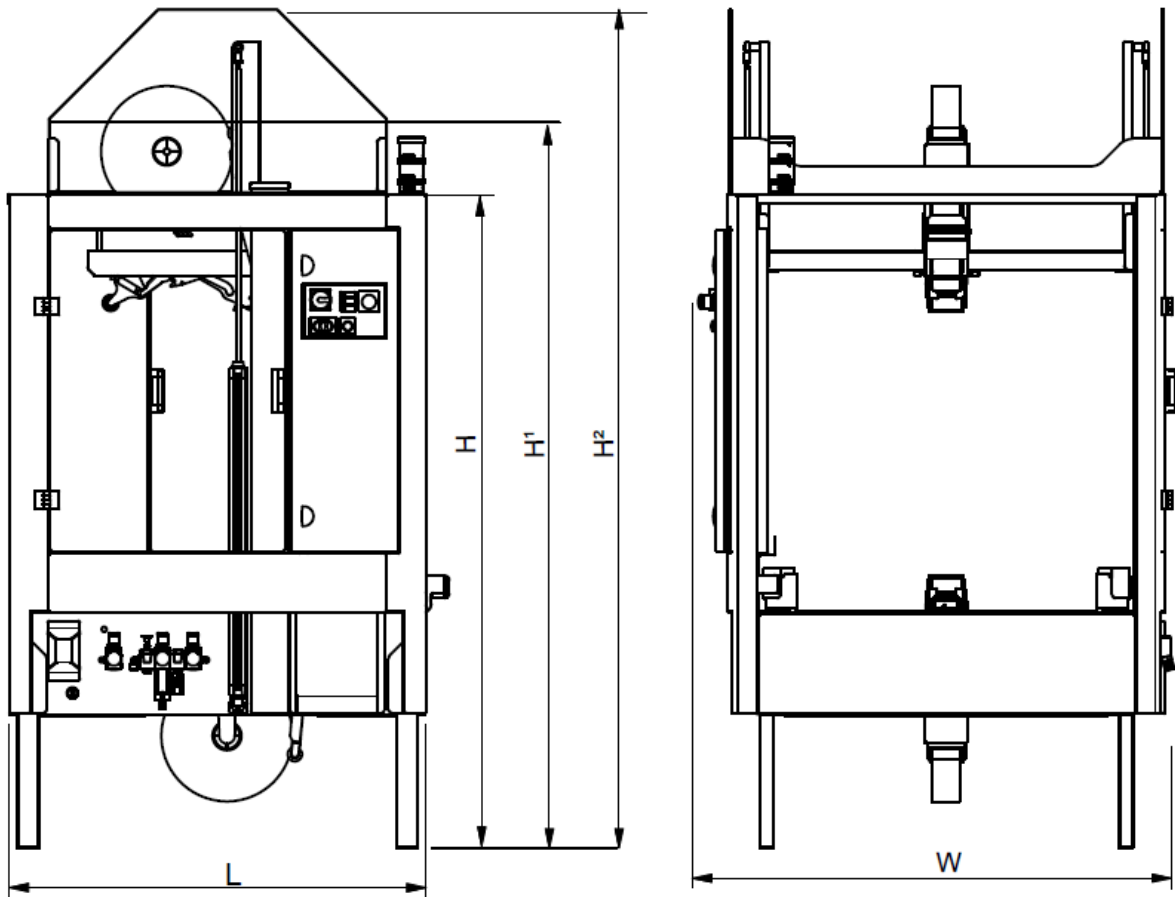


GT50RL - 65RL - 80RL



	L	H ¹	H ²	H ³	W	Kg
GT 50RL	1140 mm.	1947 mm.			1010 mm.	230
GT 65RL	1140 mm.	.	2016 mm.		1160 mm.	250
GT 80RL	1140 mm.			2296 mm.	1310 mm.	290