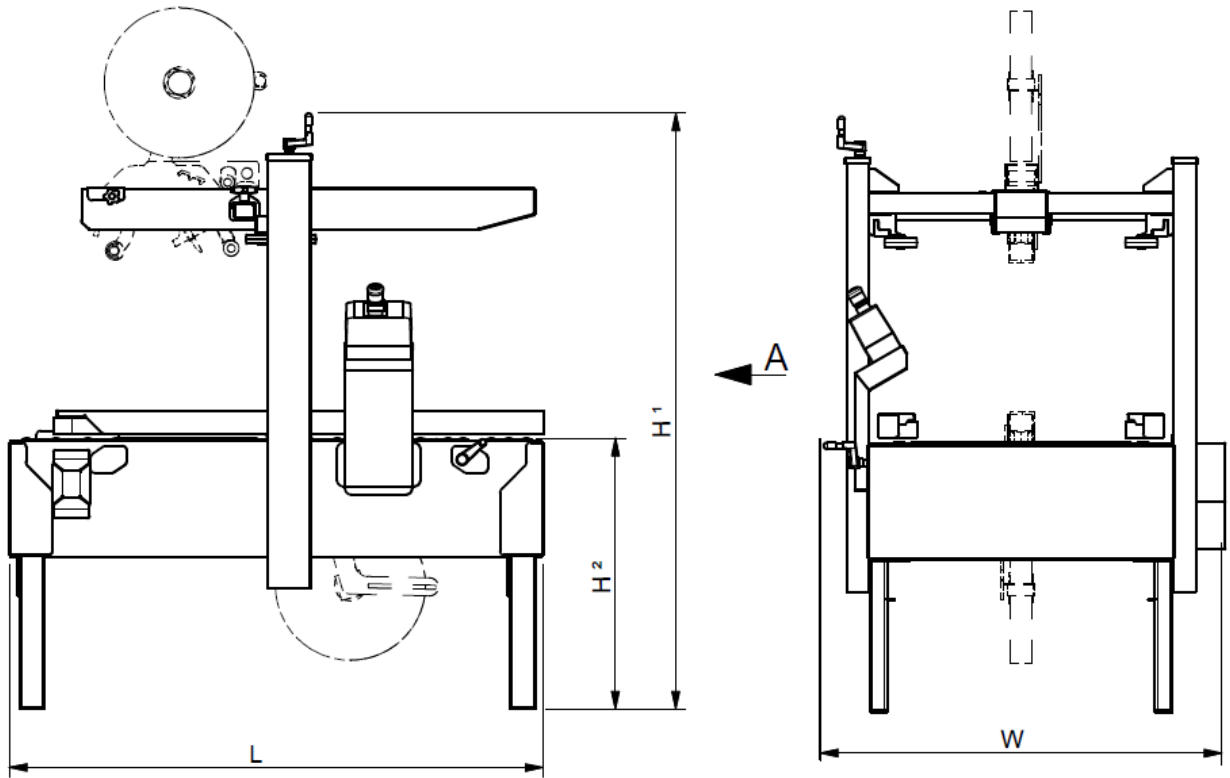


GT50S



	L	H ¹	H ²	W	Kg
GT 50S	1280 mm.	650 mm.	1429 mm.	963 mm.	140 mm.